

Mounting Instructions



OBD-Saver BASIC



Description:

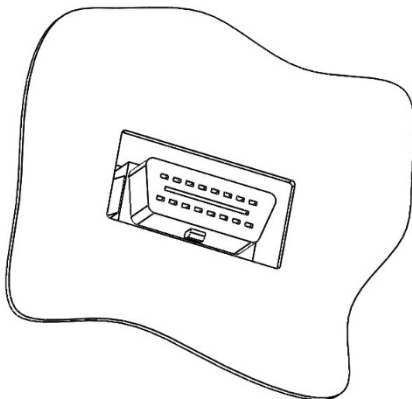
The OBD Saver disables effectively every access to ECUs via OBD – Interface (e.g. electronic immobilizer). The OBD – interface is locked with the OBD Saver. Thus connecting any device to the OBD interface is impossible and the connection to the car their fore denied.

When locked by the OBD Saver your car is protected very effectively. The control unit which controls the ignition of your car cannot be deactivated via OBD. From this time on your car will only start with the original ignition keys!

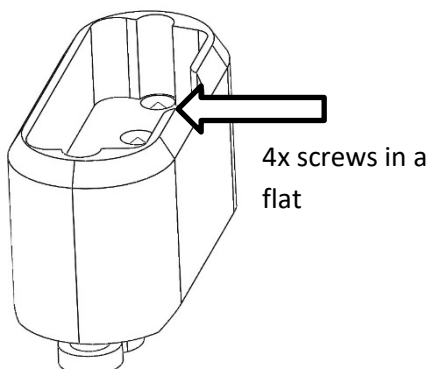
Scope of delivery :

- 1x OBD-Saver enclosure (L46xW20xH24,5)
- 4x coded screws
- 1x coded unlock tool SW8
- 1x socket wrench SW8
- 2x window sticker

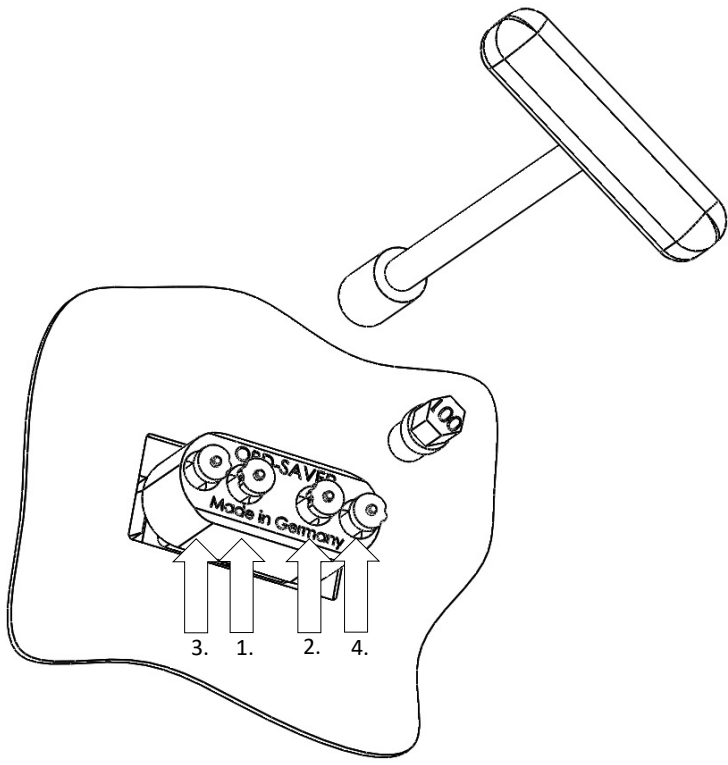
Mounting:



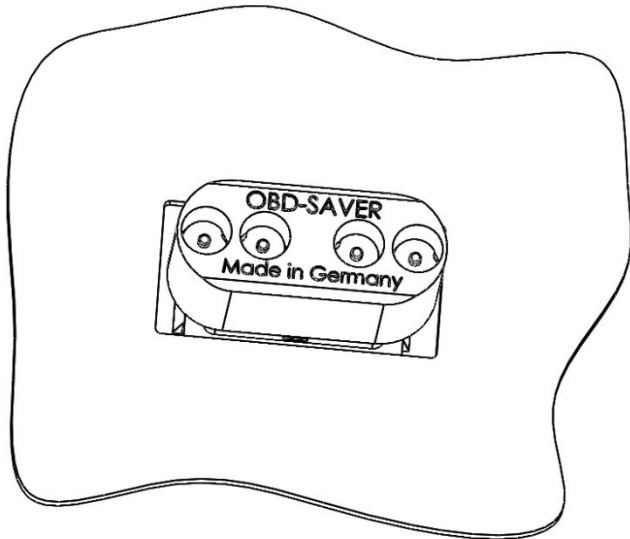
- Look for the OBD2 Interface.
- - it is mostly located at the footwell of the driver's side of the car
- When mounted, the OBD – Saver is 13,5mm higher than the OBD socket jack.
- Please make sure that there is enough space around the jack. Maybe it is necessary to adjust the plastic parts around the jack.
- In most cars there is no adjustment necessary since the jack is freely accessible.



- Unscrew all 4 screws with the delivered screwdriver until they are in a flat. (where the OBD jack is later located)



- put the OBD - Saver onto the OBD jack and press both parts together
- put the unlock tool on the coded screws
- use the socket wrench to screw all 4 screws in the sequence pictured on the left side (turn right)



Finished – OBD-Saver is now successfully mounted.